

LP4



Description:

The LP4 is the smallest variant in the LP line up but maintains all of the power and features of its siblings. The LP4 features a total of 8,857 lumens and a 200° spread of useable LED light. This light pumps out 6,885 forward projecting lumens and 1,972 lumens of dedicated peripheral lighting courtesy of our patented Integrated Peripheral Technology (IPT).

To keep your light performing at its highest potential, the LP4 integrates our proprietary Direct Ducted Cooling (DDC) technology. This feature allows air to travel through the front of the housing, over the rear heat sinks - drastically improving cooling capacity and performance. With an amber day-time running light, the LP4 will fulfill all your lighting needs.

Specifications:

Forward Projecting Lumens: 6,885 utilizing 4 LEDs
Forward Projecting Wattage/Amps: 76W/ 5.5A

IPT Lumens: 1,972 Utilizing 4 LEDs
IPT Wattage/Amps: 15W / 1.0A

Backlight Wattage/Amps: 4.83W / 0.35A
Dimensions: 5.1" Height / 5.1" Width / 3.2" Depth
Weight: 2.8lbs

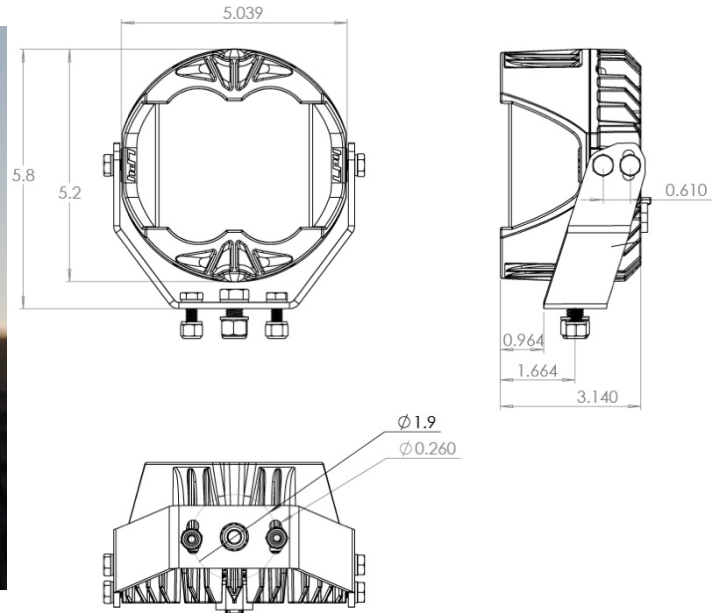
LED Life Expectancy: 49,930 Hours
Front Lens: Hardcoated Polycarbonate
Housing: Hard Anodized Machined Aluminum
Bezel: Billet Machined Aluminum
Hardware & Bracket Material: Stainless Steel
Exceeds MIL-STD810G (Mil-Spec Testing)
Built-In Overvoltage Protection
IP69K (Waterproof up to 9ft & Pressure Washable)
IK10 Compliant (Mechanical Impact Testing)

Baja Designs Features:

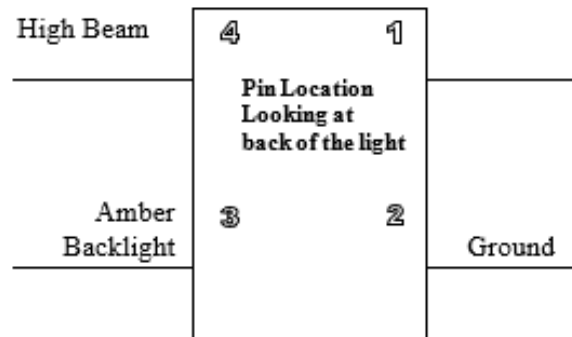
- **Satisfaction Guaranteed** - 30 Day Money Back Guarantee
- **Limited Lifetime Warranty** - Complete Purchase Protection
- **uService®** - Replaceable Lenses And Optics
- **ClearView®** - All The Light, Right Where You Need It
- **MoistureBlock™** - Waterproof, Rain Proof, Submersible
- **CopperDrive®** - Safely Driving LEDs at 100%
- **5000K Daylight** - Less Driver Fatigue, Natural Color



LP4



Part Number	Description	Size	Lumens	Amps/Watts
29-0001	LP4 Pro, LED, Spot	5.1" Height / 5.1" Width / 3.2" Depth	Forward Projecting Lumens: 6,885 Utilizing 4 LEDs IPT Lumens: 1,972 Utilizing 4 LEDs	Forward Projecting Wattage/Amps: 76W / 5.5A IPT Wattage/Amps: 15W / 1.0A
29-0003	LP4 Pro, LED, Driving/Combo	5.1" Height / 5.1" Width / 3.2" Depth	Forward Projecting Lumens: 6,885 Utilizing 4 LEDs IPT Lumens: 1,972 Utilizing 4 LEDs	Forward Projecting Wattage/Amps: 76W / 5.5A IPT Wattage/Amps: 15W / 1.0A
29-0013	LP4 Pro, LED, Driving/Combo, Amber	5.1" Height / 5.1" Width / 3.2" Depth	Forward Projecting Lumens: 6,885 Utilizing 4 LEDs IPT Lumens: 1,972 Utilizing 4 LEDs	Forward Projecting Wattage/Amps: 76W / 5.5A IPT Wattage/Amps: 15W / 1.0A
29-7801	LP4 Pro, LED, Spot, Pair	5.1" Height / 5.1" Width / 3.2" Depth	Forward Projecting Lumens: 6,885 Utilizing 4 LEDs IPT Lumens: 1,972 Utilizing 4 LEDs	Forward Projecting Wattage/Amps: 76W / 5.5A IPT Wattage/Amps: 15W / 1.0A
29-7803	LP4 Pro, LED, Driving/Combo, Pair	5.1" Height / 5.1" Width / 3.2" Depth	Forward Projecting Lumens: 6,885 Utilizing 4 LEDs IPT Lumens: 1,972 Utilizing 4 LEDs	Forward Projecting Wattage/Amps: 76W / 5.5A IPT Wattage/Amps: 15W / 1.0A
29-7813	LP4 Pro, LED, Driving/Combo, Amber, Pair	5.1" Height / 5.1" Width / 3.2" Depth	Forward Projecting Lumens: 6,885 Utilizing 4 LEDs IPT Lumens: 1,972 Utilizing 4 LEDs	Forward Projecting Wattage/Amps: 76W / 5.5A IPT Wattage/Amps: 15W / 1.0A



- The LP4 is able to run at 12-36 Volts.
- High beam and Amber Back light function off positive current.
- **Do NOT power pins 1 and 4 at the same time.** This may cause damage to the circuit board!
- If you are creating your own wiring harness the mating connector for the back of the light is a Deutsch Connector with part number DT06-4S.

LIMITED LIFETIME WARRANTY

Baja Designs proudly offers a LIFETIME WARRANTY against manufacturer's defect on all of the products that we manufacture. These are comprehensive warranties; other than the exclusions below – you're covered. If your LED or HID bulb burns out, you're covered. Additionally, cutting off our connector or changing your lenses does not automatically void your warranty.

Exclusions:

Installation errors, abuse, misuse or crash damage. You must be the original owner of the product and can supply proof of purchase.

Baja Designs manufactures its own products as well as resells products manufactured by others. Baja Designs makes no express or implied warranties on products not manufactured by Baja Designs including without limitation any warranties or merchantability and fitness for a particular purpose. We will however, pass on all warranties made by the manufacturer, who has sole responsibility for performing such warranties.

Baja Designs will pay the freight if your product is less than 90 days old, otherwise defective products must be returned to Baja Designs, Inc., freight prepaid. At our option, we will repair or replace items in question and return them at no charge. If the identical product is no longer available we will replace with a similar product of equal value. Baja Designs Inc. will not be responsible for any indirect or consequential damages in connection with defective merchandise.

Items purchased through a Baja Designs authorized dealer must be returned through the dealer. Only available on LED auxiliary lights and product must be in sellable condition at MSRP. Product that has been damaged in any way after the original purchase date will be excluded from this guarantee

Indemnification:

Buyer hereby acknowledges off-roading, racing and driving at night are dangerous activities and that the products and/or supplies purchased from Baja Designs are used in an inherently dangerous activity that may endanger life and limb; and in no event shall the seller, or seller's heirs and assigns, be held liable for consequential damages, nor shall seller's liability on any claim for damages arising out of or connected with the sale, delivery, or use of purchased products and/or supplies exceed the purchase price of the products and/or supplies.