



Description:

The Baja Designs OnX6 Hybrid LED/Laser light bar gives enthusiasts the ultimate lighting package all in one bar. We have combined our next generation LEDs with our laser technology to give off-roaders a versatile light that is capable of throwing light 30-40% farther than our current OnX6+ light bar. Each 10-inch segment of the OnX6 Hybrid bar projects two laser chips and four next generation LEDs projecting through our high-speed spot optics to deliver a far reaching, smooth blend of light that lights up zones 2, 3, 4, all the way to zone 5! for max distance when hitting high speeds on the dirt. Backed by our 30-Day Satisfaction Guarantee and Limited Lifetime Warranty for the ultimate in purchase protection.

Note: 10" Hybrid bars can be operated with two switches. One to control the LED chips and another switch to control the two Laser chips.

Standards of Compliance:

MIL-STD-810G Certified

- (Low Temperature Test, High Temperature, Temperature & Humidity, Thermal Shock Cycling, Dust, Random Vibration, Mechanical Shock, Low Pressure & Drip Box Water)

IP69k Certified - (Submersible to 9ft)

IK10 Compliant - (Mechanical Impact Testing)

Salt Spray Certified

High/Medium Modes

Baja Designs Features:

- **Satisfaction Guaranteed** - 30 Day Money Back Guarantee
- **Limited Lifetime Warranty** - Complete Purchase Protection
- **uService®** - Replaceable Lenses And Optics
- **ClearView®** - All The Light, Right Where You Need It
- **MoistureBlock™** - Waterproof, Rain Proof, Submersible
- **CopperDrive®** - Only LED Driven At 100%
- **5000K Daylight** - Less Driver Fatigue, Natural Color

Specifications:

Lumens: 3,750 Utilizing 4 LEDs and 2 Laser Chips

Weight: 4.25 lbs per 10" Section

Wattage/Amps: 99.36W/7.2A

Dimensions: 10" x 4.29" x 2.69"

LED Life Expectancy: 49,930 Hours

Front Lens: Hard Coated Polycarbonate

Housing: Aircraft Grade Aluminum w/Mil-Spec Hard Anodize

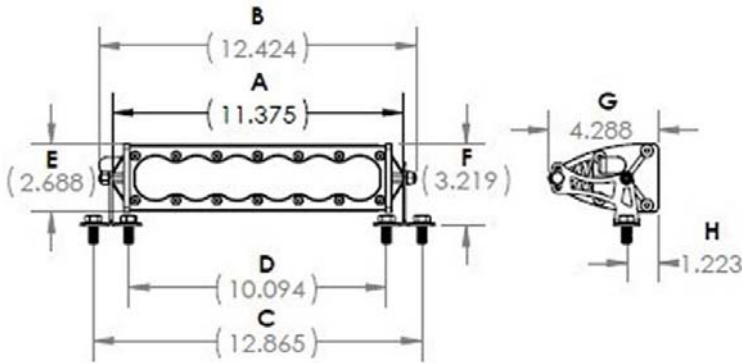
Hardware & Bracket Material: Stainless Steel

Exceeds MIL-STD810G

Built-In Overvoltage Protection



HYBRID



Part Number	Description	Size	Lumens	Amps/Watts
45-1007	OnX6, 10" Hybrid LED and Laser Light Bar	10" x 4.29" x 2.69"	3,750	7.2A/ 99.36w
45-2007	OnX6, 20" Hybrid LED and Laser Light Bar	20" x 4.29" x 2.69"	7,500	14.4A/ 198.72w
45-3007	OnX6, 30" Hybrid LED and Laser Light Bar	30" x 4.29" x 2.69"	11,250	21.6A/ 298.08w
45-4007	OnX6, 40" Hybrid LED and Laser Light Bar	40" x 4.29" x 2.69"	15,000	28.8A/ 397.44w
45-5007	OnX6, 50" Hybrid LED and Laser Light Bar	50" x 4.29" x 2.69"	18,750	36A/ 496.80w

NOTES:

- Only the 10in. Hybrid light bar allow for operation with two switches. One to control the four LEDs and one to control the two laser chips.
- OnX6 Hybrid bars sized 20in and above only function with one on/off switch.
- Hybrid bars do not come with harness. The proper harness will be PN: 640119
- 40in/50in Hybrid light bars are extremely high output and are built as dual power cord/dual control. You will need two harnesses (PN:640119) to power the 40in/50in bars. Please verify vehicle has the electrical output to run these products.



HYBRID

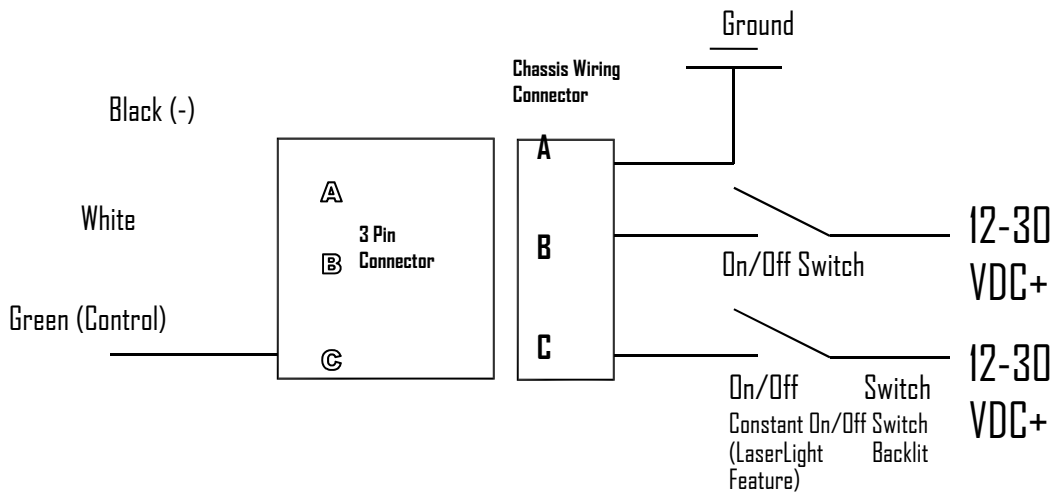


Baja Designs OnX6 Laser and S8 Wiring

The OnX6 Hybrid Laser has the middle laser section requires power to pin C which can be tied directly in with pin B if you want the entire light controlled on one switch or you can control the laser section independently on its own second on/off switch.

All S8 Light bars feature off/on and a unique backlit feature. To operate the backlit feature a second off/on switch will be required to provide positive power to Pin C. If you do not need this feature, then a single standard on/off switch is all that is needed.

Connector Wiring (WeatherPak 3 Pin Connector)



When using the optional second switch, depressing the switch will turn on the Laser section/backlit feature. Depressing the switch again will turn the backlit light off.

Moisture Block: The Moisture Block functions exactly as it sounds, completely blocking moisture or water from climbing its way up the cord into your LED light.

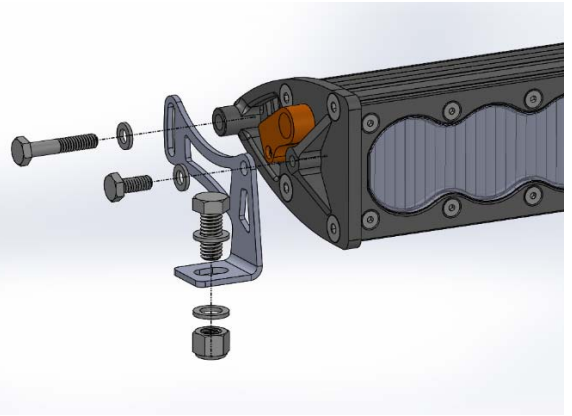
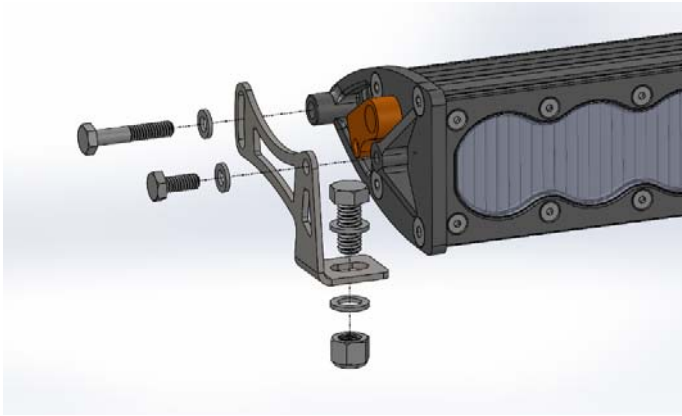
*Cutting past the Moisture Block will **VOID YOUR WARRANTY***



HYBRID



OnX6 LED Light Bar Mounting



If you have any questions, please don't hesitate to give us a call at 760-560-2252!