

S2 PRO



Description:

The S2 Pro LED Light offers an incredible 2,450 lumens out of a tiny 3" x 2" housing; the S2 Pro is quite literally the brightest LED light ounce for ounce on the market. The S2 Pro can be mounted where traditional lights would never fit. Moreover, it only draws 24 watts so your electrical system will barely know it's there. This LED is perfect for all your adventures! An industry first 30 Day Satisfaction Guarantee & Limited Lifetime Warranty is included for the ultimate in purchase protection.

Baja Designs Features:

Satisfaction Guaranteed - 30 Day Money Back Guarantee

Limited Lifetime Warranty - Complete Purchase Protection

uService® - Replaceable Lenses And Optics

ClearView® - All The Light, Right Where You Need It

MoistureBlock™ - Waterproof, Rain Proof, Submersible

CopperDrive® - Only LED Driven At 100%

5000K Daylight - Less Driver Fatigue, Natural Color



Specifications:

Lumens: 2,450 Utilizing 2 Cree LEDs

Weight: 8 ounces

Wattage/Amps: 24W / 1.7A

Dimensions: 2.93" x 1.76" x 1.68"

LED Life Expectancy: 49,930 Hours

Front Lens: Hard Coated Polycarbonate

Housing: Powder Coat Bezel -Hard Anodize

Hardware & Bracket Material: Stainless Steel

Exceeds MIL-STD810G

Built-In Overvoltage Protection



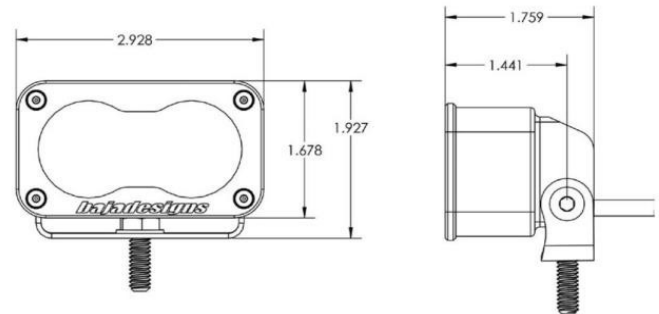
Standards of Compliance:

MIL-STD-810G Certified - (Low Temperature Test, High Temperature, Temperature & Humidity, Thermal Shock Cycling, Dust, Random Vibration, Mechanical Shock, Low Pressure & Drip Box Water)

IP69K Certified - (Submersible to 9ft)

IK10 Compliant - (Mechanical Impact Testing)

Salt Spray Certified



Patterns:

Driving/Combo: Maximum trail coverage in a single light. The Driving/Combo pattern is equipped with both Driving (42°) and spot (9°) optics to provide you with a smooth blend of light for both near field applications and distance (Lighting Zone 3)

Wide Cornering: BD was the first to develop a pattern specifically for cornering, dust and/or fog conditions. The Wide Driving pattern offers a 42° flattened horizontal beam for the ultimate in comfort lighting. (Lighting Zones 1 & 2)

Spot: A longer and narrower 9° beam focus for illumination further down the trail or road. The Spot pattern is designed to be used in conjunction with additional Wide Driving and/or Driving/Combo beam lights. (Lighting Zone 4 & 5)

Flood: Excellent work light or "scene light" with an extremely smooth 120° circle that projects about 40ft. This pattern is not suitable for driving. (Lighting Zone 7)

Part Number	Description	Size	Lumens	Amps/Watts
48-0001	S2 Pro, LED Spot	2.93" x 1.76" x 1.68"	2,450	24W / 1.7A
48-0001BL	S2 Pro, LED Spot, Blue	2.93" x 1.76" x 1.68"	2,450	24W / 1.7A
48-0001GR	S2 Pro, LED Spot, Green	2.93" x 1.76" x 1.68"	2,450	24W / 1.7A
48-0001RD	S2 Pro, LED Spot, Red	2.93" x 1.76" x 1.68"	2,450	24W / 1.7A
48-0001WT	S2 Pro, White, LED Spot	2.93" x 1.76" x 1.68"	2,450	24W / 1.7A
48-0003	S2 Pro, LED Driving/Combo	2.93" x 1.76" x 1.68"	2,450	24W / 1.7A
48-0003WT	S2 Pro, White, LED Driving/Combo	2.93" x 1.76" x 1.68"	2,450	24W / 1.7A
48-0005	S2 Pro, LED Wide Cornering	2.93" x 1.76" x 1.68"	2,450 - Per	24W / 1.7A
48-0005WT	S2 Pro, LED Wide Cornering, White	2.93" x 1.76" x 1.68"	2,450 - Per	24W / 1.7A
48-0006	S2 Pro, LED Work/Scene	2.93" x 1.76" x 1.68"	2,450 - Per	24W / 1.7A
48-0006WT	S2 Pro, White, LED Work/Scene	2.93" x 1.76" x 1.68"	2,450 - Per	24W / 1.7A
48-0011	S2 Pro, Amber, LED Spot	2.93" x 1.76" x 1.68"	2,450 - Per	24W / 1.7A
48-0011WT	S2 Pro, White, Amber, LED Spot	2.93" x 1.76" x 1.68"	2,450	24W / 1.7A
48-0013	S2 Pro, Amber LED Driving/Combo,	2.93" x 1.76" x 1.68"	2,450	24W / 1.7A
48-0013WT	S2 Pro, White, Amber LED Driving/Combo	2.93" x 1.76" x 1.68"	2,450	24W / 1.7A
48-0015	S2 Pro, Amber LED Wide Cornering	2.93" x 1.76" x 1.68"	2,450	24W / 1.7A
48-0015WT	S2 Pro, White, Amber LED Wide Cornering	2.93" x 1.76" x 1.68"	2,450	24W / 1.7A
48-0016	S2 Pro, Amber, LED Work/Scene	2.93" x 1.76" x 1.68"	2,450	24W / 1.7A
48-1001	S2 Pro, Flush Mount, LED Spot	2.93" x 1.76" x 1.68"	2,450	24W / 1.7A
48-1001WT	S2 Pro, White, Flush Mount, LED Spot	2.93" x 1.76" x 1.68"	2,450	24W / 1.7A
48-1003	S2 Pro, Flush Mount, LED Driving/Combo	2.93" x 1.76" x 1.68"	2,450	24W / 1.7A
48-1003WT	S2 Pro, White, Flush Mount, LED Driving/Combo	2.93" x 1.76" x 1.68"	2,450	24W / 1.7A
48-1005	S2 Pro, Flush Mount, LED Wide Cornering	2.93" x 1.76" x 1.68"	2,450	24W / 1.7A
48-1005WT	S2 Pro, White, Flush Mount, LED Wide-Cornering	2.93" x 1.76" x 1.68"	2,450	24W / 1.7A
48-1006	S2 Pro, Flush Mount, LED Work/Scene	2.93" x 1.76" x 1.68"	2,450	24W / 1.7A
48-1006WT	S2 Pro, White, Flush Mount, LED Work/Scene	2.93" x 1.76" x 1.68"	2,450	24W / 1.7A
48-1013	S2 Pro, Flush Mount LED Driving, Amber	2.93" x 1.76" x 1.68"	2,450	24W / 1.7A
48-1013WT	S2 Pro, White, Amber, Flush Mount LED Driving	2.93" x 1.76" x 1.68"	2,450	24W / 1.7A

48-1015	S2 Pro, Amber Flush Mount LED Wide Cornering	2.93" x 1.76" x 1.68"	2,450	24W / 1.7A
48-1015WT	S2 Pro, White, Amber, Flush Mount LED Wide Cornering	2.93" x 1.76" x 1.68"	2,450	24W / 1.7A
48-7801	S2 Pro, Pair Spot LED	2.93" x 1.76" x 1.68"	2,450 - Per	24W / 1.7A - Per
48-7803	S2 Pro, Pair Driving/Combo LED	2.93" x 1.76" x 1.68"	2,450 - Per	24W / 1.7A - Per
48-7805	S2 Pro, Pair Wide Cornering LED	2.93" x 1.76" x 1.68"	2,450 - Per	24W / 1.7A - Per
48-7806	S2 Pro, Pair Work/Scene LED	2.93" x 1.76" x 1.68"	2,450 - Per	24W / 1.7A - Per
48-7811	S2 Pro, Pair Amber, LED Spot	2.93" x 1.76" x 1.68"	2,450 - Per	24W / 1.7A - Per
48-7813	S2 Pro, Pair Amber LED Driving/Combo,	2.93" x 1.76" x 1.68"	2,450 - Per	24W / 1.7A - Per
48-7815	S2 Pro, Pair Amber LED Wide Cornering	2.93" x 1.76" x 1.68"	2,450 - Per	24W / 1.7A - Per
48-7816	S2 Pro, Pair Work/Scene Amber LED	2.93" x 1.76" x 1.68"	2,450 - Per	24W / 1.7A - Per

LIMITED LIFETIME WARRANTY

Baja Designs proudly offers a LIFETIME WARRANTY against manufacturer's defect on all of the products that we manufacture.

These are comprehensive warranties; other than the exclusions below – you're covered. If your LED burns out, you're covered. Additionally, cutting off our connector or changing your lenses does not automatically void your warranty.

Exclusions:

Installation errors, abuse, misuse or crash damage. You must be the original owner of the product and be able to supply proof of purchase.

Baja Designs manufactures its own products as well as resells products manufactured by others. Baja Designs makes no express or implied warranties on products not manufactured by Baja Designs including without limitation any warranties or merchantability and fitness for a particular purpose. We will however, pass on all warranties made by the manufacturer, who has sole responsibility for performing such warranties.

Baja Designs will pay the freight if your product is less than 90 days old, otherwise defective products must be returned to Baja Designs, Inc., freight prepaid. At our option, we will repair or replace items in question and return them at no charge. If the identical product is no longer available, we will replace with a similar product of equal value. Baja Designs Inc. will not be responsible for any indirect or consequential damages in connection with defective merchandise.

Indemnification:

Buyer hereby acknowledges off-roading, racing and driving at night are dangerous activities and that the products and/or supplies purchased from Baja Designs are used in an inherently dangerous activity that may endanger life and limb; and in no event shall the seller, or seller's heirs and assigns, be held liable for consequential damages, nor shall seller's liability on any claim for damages arising out of or connected with the

sale, delivery, or use of purchased products and/or supplies exceed the purchase price of the products and/or supplies.

Customer satisfaction stands at the core of who Baja Designs is as a company. BD gives you a full 30 days to test out your new light and if you are not 100% satisfied with your purchase, you can send it back for an exchange or refund of the purchase price and applicable tax. Exclusions: Items purchased through a Baja Designs authorized dealer must be returned through the dealer. Only available on LED auxiliary lights and product must be in sellable condition at MSRP. Product that has been damaged in any way after the original purchase date will be excluded from this guarantee.

Squadron & S2 Mounting (Bracket Orientations does not matter)

Squadron & S2 Wiring

Black, Ground.

White, 12-36V DC.

Baja Designs chooses stainless steel mounting bolts and hardware for their corrosion resistance and appearance. Stainless fasteners can be prone to galling or sticking during installation so we recommend a thread lubricant or anti-seize on the threads when assembling. Avoid using high speed power tools to assemble because the heat generated from friction can promote seizing.