



Description:

THE S8 LED LIGHT BAR COMES IN 10-50-INCH SIZES TO FIT ANY APPLICATION. ENJOY THE CLEAN ALUMINUM FRAME, STARTING AT 6,324 RAW LUMENS OF PURE POWER PER 10-INCH SECTION, LOW AMP DRAW OF 4.2 AMPS, AND NEARLY 50,000 HOURS OF LED LIFE. THE S8 ALSO FEATURES UPGRADED REFLECTORS, AN AMBER BACKLIT FEATURE, AND NEW SCALLOPED HOUSING DESIGN. THE S8 IS BACKED BY OUR 30 DAY SATISFACTION GUARANTEE AND LIMITED LIFETIME WARRANTY GIVING YOU THE ULTIMATE IN PURCHASE PROTECTION!

BAJA DESIGNS FEATURES:

SATISFACTION GUARANTEED - 30 DAY MONEY BACK GUARANTEE

LIMITED LIFETIME WARRANTY - COMPLETE PURCHASE PROTECTION

USERVICE® - REPLACEABLE LENSES AND OPTICS

CLEARVIEW® - ALL THE LIGHT, RIGHT WHERE YOU NEED IT

MOISTUREBLOCK™ - WATERPROOF, RAIN PROOF, SUBMERSIBLE

COPPERDRIVE® - SAFELY DRIVING LEDS AT 100%

5000K DAYLIGHT - LESS DRIVER FATIGUE, NATURAL COLOR

SPECIFICATIONS (PER 10-INCH SECTION):

RAW LUMENS: 6,324 UTILIZING 8 LEDS

WEIGHT: 2.4 LBS

WATTAGE/AMPS: 57.96W / 4.2A

DIMENSIONS: 10" X 3" X 1.6"

LED LIFE EXPECTANCY: 49,930 HOURS

FRONT LENS: HARD COATED POLYCARBONATE

HOUSING: EXTRUDED ALUMINUM, ANODIZED, LASER ETCHED



Hardware & Bracket Material: Stainless Steel

Exceeds MIL-STD810G (Mil-Spec Testing)

Built-In Overvoltage Protection and Backlit Feature



baja designs
The Scientists of Lighting



Part Number	Description	Size	Lumens	Amps/Watts
701001	S8, 10" Spot LED Light Bar	10" x 3" x 1.6"	6,324	57.96W / 4.2A
701003	S8, 10" Driving/Combo LED Light Bar	10" x 3" x 1.6"	6,324	57.96W / 4.2A
701004	S8, 10" Wide Driving LED Light Bar	10" x 3" x 1.6"	6,324	57.96W / 4.2A
701006	S8, 10" Work/Scene LED Light Bar	10" x 3" x 1.6"	6,324	57.96W / 4.2A
701013	S8, 10" Driving/Combo Amber,LED Light Bar	10" x 3" x 1.6"	6,324	57.96W / 4.2A
701014	S8, 10" Wide Driving Amber,LED Light Bar	10" x 3" x 1.6"	6,324	57.96W / 4.2A
702001	S8, 20" Spot LED Light Bar	20" x 3" x 1.6"	12,648	115.92W / 8.4A
702003	S8, 20" Driving/Combo LED Light Bar	20" x 3" x 1.6"	12,648	115.92W / 8.4A
702004	S8, 20" Wide Driving LED Light Bar	20" x 3" x 1.6"	12,648	115.92W / 8.4A
702006	S8, 20" Work/Scene LED Light Bar	20" x 3" x 1.6"	12,648	115.92W / 8.4A
702013	S8, 20" Driving/Combo Amber,LED Light Bar	20" x 3" x 1.6"	12,648	115.92W / 8.4A
702014	S8, 20" Wide Driving Amber,LED Light Bar	20" x 3" x 1.6"	12,648	115.92W / 8.4A
703001	S8, 30" Spot, LED Light Bar	30" x 3" x 1.6"	18,972	173.88W / 12.6A
703003	S8, 30" Driving/Combo, LED Light Bar	30" x 3" x 1.6"	18,972	173.88W / 12.6A



baja designs

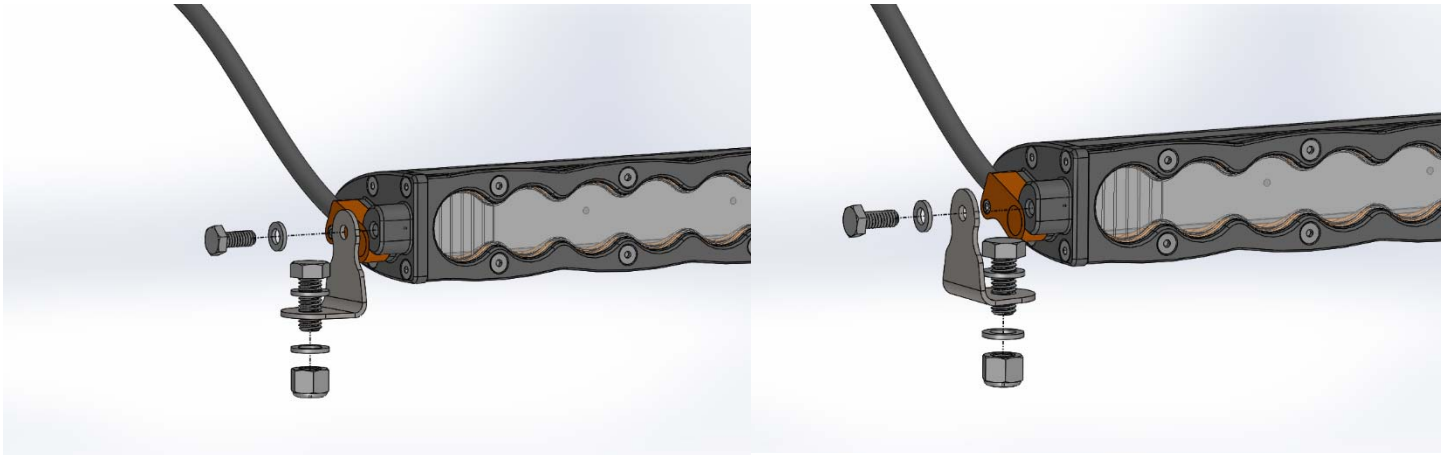
The Scientists of Lighting

703004	S8, 30" Wide Driving, LED Light Bar	30" x 3" x 1.6"	18,972	173.88W / 12.6A
703006	S8, 30" Work/Scene LED Light Bar	30" x 3" x 1.6"	18,972	173.88W / 12.6A
703013	S8, 30" Driving/Combo Amber, LED Light Bar	30" x 3" x 1.6"	18,972	173.88W / 12.6A
703014	S8, 30" Wide Driving Amber, LED Light Bar	30" x 3" x 1.6"	18,972	173.88W / 12.6A
704001	S8, 40" Spot LED Light Bar	40" x 3" x 1.6"	25,296	231.84W 168A
704003	S8, 40" Driving/Combo LED Light Bar	40" x 3" x 1.6"	25,296	231.84W 168A
704004	S8, 40" Wide Driving LED Light Bar	40" x 3" x 1.6"	25,296	231.84W 168A
704006	S8, 40" Work/Scene LED Light Bar	40" x 3" x 1.6"	25,296	231.84W 168A
704013	S8, 40" Driving/Combo Amber, LED Light Bar	40" x 3" x 1.6"	25,296	231.84W 168A
704014	S8, 40" Wide Driving Amber, LED Light Bar	40" x 3" x 1.6"	25,296	231.84W 168A
705001	S8, 50" Spot LED Light Bar	50" x 3" x 1.6"	31,620	2988W 201A
705003	S8, 50" Driving Combo LED Light Bar	50" x 3" x 1.6"	31,620	2988W 201A
705004	S8, 50" Wide Driving LED Light Bar	50" x 3" x 1.6"	31,620	2988W 201A
705006	S8, 50" Work/Scene LED Light Bar	50" x 3" x 1.6"	31,620	2988W 201A
705013	S8, 50" Driving/Combo Amber, LED Light Bar	50" x 3" x 1.6"	31,620	2988W 201A
705014	S8, 50" Wide Driving Amber, LED Light Bar	50" x 3" x 1.6"	31,620	2988W 201A



baja designs
The Scientists of Lighting

S8 LED Light Bar Mounting

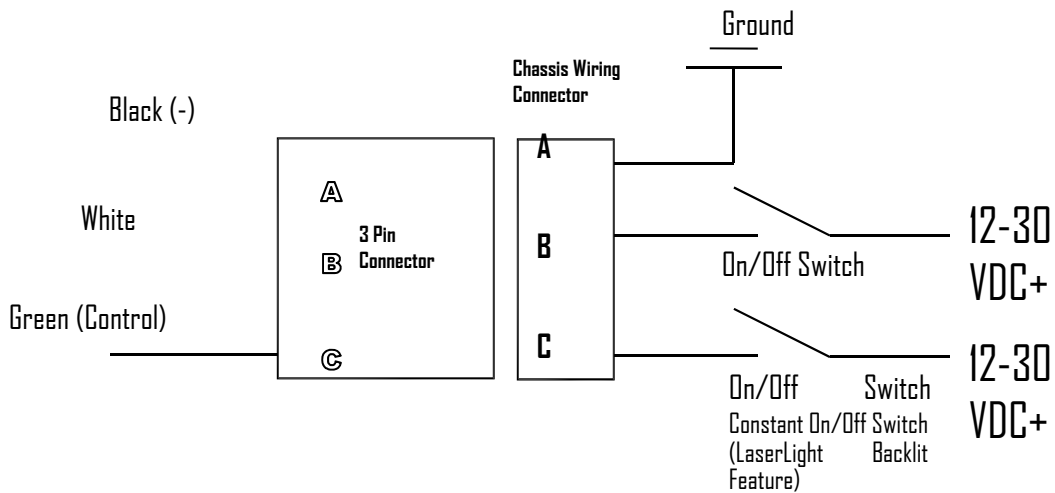


Baja Designs OnX6 Laser and S8 Wiring

The all new OnX6 Hybrid Laser has the middle laser section requires power to pin C which can be tied directly in with pin B if you want the entire light controlled on one switch or you can control the laser section independently on its own second on/off switch.

All S8 Light bars feature off/on and a unique backlit feature. To operate the backlit feature a second off/on switch will be required to provide positive power to Pin C. If you do not need this feature, then a single standard on/off switch is all that is needed.

Connector Wiring (WeatherPak 3 Pin Connector)



When using the optional second switch, depressing the switch will turn on the Laser section/backlit feature. Depressing the switch again will turn the backlit light off.

Moisture Block: The Moisture Block functions exactly as it sounds, completely blocking moisture or water from climbing its way up the cord into your LED light.

*Cutting past the Moisture Block will **VOID YOUR WARRANTY.***