

Squadron PRO



Specifications:

Lumens: 4,095 Utilizing 4 LEDs

Candela: 76,194 (CD) **Weight:** 12 ounces

Wattage/Amps: 41W / 3A

Input Voltage: 9V-32V

Dimensions: 3.07" x 2.77" x 3.07"

LED Life Expectancy: 49,930 Hours

Front Lens: Hard Coated Polycarbonate

Housing: Hard Anodize & Powder Coat

Bezel: Hard Anodize

Hardware & Bracket Material: Stainless Steel

Built-In Overvoltage Protection



Description:

Our Squadron® Pro packs 4,095 Lumens at 41 watts that will truly annihilate the night. Don't let this light fool you, although compact in size this LED auxiliary light will literally blind you with brightness thanks to next generation LEDs providing 64% greater distance over prior Squadron Pro models. A sleek black gloss aluminum housing for durability, the Squadron Pro will outshine the competition through both appearance and performance. An industry first 30-Day satisfaction guarantee and limited lifetime warranty is included for the ultimate in purchase protection.

Baja Designs Features:

Satisfaction Guaranteed - 30 Day Money Back Guarantee

Limited Lifetime Warranty - Complete Purchase Protection

uService® - Replaceable Lenses And Optics

ClearView® - All The Light, Right Where You Need It

MoistureBlock™ - Waterproof, Rain Proof, Submersible

CopperDrive® - Only LED Driven At 100%

5000K Daylight - Less Driver Fatigue, Natural Color

Standards of Compliance:

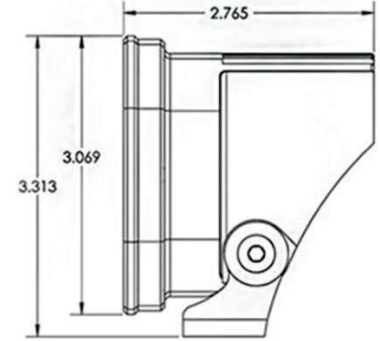
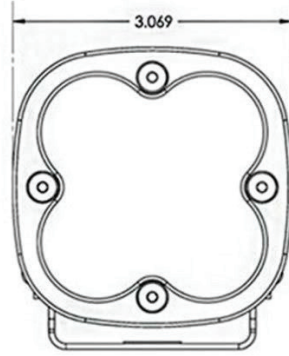
MIL-STD-810G Certified - (Low Temperature Test, High Temperature, Temperature & Humidity, Thermal Shock Cycling, Dust, Random Vibration, Mechanical Shock, Low Pressure, & Drip Box Water)

IP69k Certified - (Submersible to 9ft)

IK10 Compliant - (Mechanical Impact Testing)

Salt Spray Certified

Squadron PRO



Part Number	Description	Size	Lumens	Amps/Watts
49-0001	Squadron Pro, LED Spot	3.07" x 2.77" x 3.07"	4,095	41W / 3A
49-0001WT	Squadron Pro, White, LED Spot	3.07" x 2.77" x 3.07"	4,095	41W / 3A
49-0003	Squadron Pro, LED Driving/Combo	3.07" x 2.77" x 3.07"	4,095	41W / 3A
49-0003WT	Squadron Pro, White, LED Driving/Combo	3.07" x 2.77" x 3.07"	4,095	41W / 3A
49-0005	Squadron Pro, LED Wide Cornering	3.07" x 2.77" x 3.07"	4,095	41W / 3A
49-0005WT	Squadron Pro, LED Wide Cornering, White	3.07" x 2.77" x 3.07"	4,095	41W / 3A
49-0006	Squadron Pro, LED Work/Scene	3.07" x 2.77" x 3.07"	4,095	41W / 3A
49-0006WT	Squadron Pro, White, LED Work/Scene	3.07" x 2.77" x 3.07"	4,095	41W / 3A
49-0011	Squadron Pro, Amber, LED Spot	3.07" x 2.77" x 3.07"	4,095	41W / 3A
49-0011WT	Squadron Pro, White, Amber, LED Spot	3.07" x 2.77" x 3.07"	4,095	41W / 3A
49-0013	Squadron Pro, Amber LED Driving/Combo,	3.07" x 2.77" x 3.07"	4,095	41W / 3A
49-0013WT	Squadron Pro, White, Amber LED Driving/Combo	3.07" x 2.77" x 3.07"	4,095	41W / 3A
49-0015	Squadron Pro, Amber LED Wide Cornering	3.07" x 2.77" x 3.07"	4,095	41W / 3A
49-0015WT	Squadron Pro, White, Amber LED Wide Cornering	3.07" x 2.77" x 3.07"	4,095	41W / 3A
49-0016	Squadron Pro, Amber, LED Work/Scene	3.07" x 2.77" x 3.07"	4,095	41W / 3A
49-1001	Squadron Pro, Flush Mount, LED Spot	3.07" x 2.77" x 3.07"	4,095	41W / 3A
49-1001WT	Squadron Pro, White, Flush Mount, LED Spot	3.07" x 2.77" x 3.07"	4,095	41W / 3A

Squadron PRO



49-1003	Squadron Pro, Flush Mount, LED Driving/Combo	3.07" x 2.77" x 3.07"	4,095	41W / 3A
49-1003WT	Squadron Pro, White, Flush Mount, LED Driving/Combo	3.07" x 2.77" x 3.07"	4,095	41W / 3A
49-1005	Squadron Pro, Flush Mount, LED Wide Cornering	3.07" x 2.77" x 3.07"	4,095	41W / 3A
49-1005WT	Squadron Pro, White, Flush Mount, LED Wide-Cornering	3.07" x 2.77" x 3.07"	4,095	41W / 3A
49-1006	Squadron Pro, Flush Mount, LED Work/Scene	3.07" x 2.77" x 3.07"	4,095	41W / 3A
49-1006WT	Squadron Pro, White, Flush Mount, LED Work/Scene	3.07" x 2.77" x 3.07"	4,095	41W / 3A
49-1013	Squadron Pro, Flush Mount LED Driving, Amber	3.07" x 2.77" x 3.07"	4,095	41W / 3A
49-1013WT	Squadron Pro, White, Amber, Flush Mount LED Driving	3.07" x 2.77" x 3.07"	4,095	41W / 3A
49-1015	Squadron Pro, Amber Flush Mount LED Wide Cornering	3.07" x 2.77" x 3.07"	4,095	41W / 3A
49-1015WT	Squadron Pro, White, Amber, Flush Mount LED Wide Cornering	3.07" x 2.77" x 3.07"	4,095	41W / 3A
49-2006	Squadron Pro, Angled Flush Mount, LED Work/Scene	3.07" x 2.77" x 3.07"	4,095	41W / 3A
49-7801	Squadron Pro, Pair Spot LED	3.07" x 2.77" x 3.07"		
49-7803	Squadron Pro, Pair Driving/Combo LED	3.07" x 2.77" x 3.07"	4,095	41W / 3A
49-7805	Squadron Pro, Pair Wide Cornering LED	3.07" x 2.77" x 3.07"	4,095	41W / 3A
49-7806	Squadron Pro, Pair Work/Scene LED	3.07" x 2.77" x 3.07"	4,095	41W / 3A
49-7811	Squadron Pro, Pair Amber, LED Spot	3.07" x 2.77" x 3.07"	4,095	41W / 3A
49-7813	Squadron Pro, Pair Amber LED Driving/Combo,	3.07" x 2.77" x 3.07"	4,095	41W / 3A
49-7815	Squadron Pro, Pair Amber LED Wide Cornering	3.07" x 2.77" x 3.07"	4,095	41W / 3A
49-7816	Squadron Pro, Pair Work/Scene Amber LED	3.07" x 2.77" x 3.07"	4,095	41W / 3A
59-0001	Squadron-R Pro, Spot LED	3.5" x 2.77" x 3.5"	4,095	41W / 3A
59-0003	Squadron-R Pro, LED Driving/Combo	3.5" x 2.77" x 3.5"	4,095	41W / 3A
59-0005	Squadron-R Pro, LED Wide Cornering	3.5" x 2.77" x 3.5"	4,095	41W / 3A
59-0006	Squadron-R Pro, LED Work/Scene	3.5" x 2.77" x 3.5"	4,095	41W / 3A
59-0013	Squadron-R Pro, LED Driving/Combo, Amber	3.5" x 2.77" x 3.5"	4,095	41W / 3A
59-0015	Squadron-R Pro, LED Wide Cornering, Amber	3.5" x 2.77" x 3.5"	4,095	41W / 3A
59-7801	Squadron-R Pro, Pair Spot LED	3.5" x 2.77" x 3.5"	4,095	41W / 3A



59-7803	Squadron-R Pro, Pair Driving/Combo LED	3.5" x 2.77" x 3.5"	4.095	41W / 3A
59-7805	Squadron-R Pro, Pair Wide Cornering LED	3.5" x 2.77" x 3.5"	4.095	41W / 3A
59-7806	Squadron-R Pro, Pair Work/Scene LED	3.5" x 2.77" x 3.5"	4.095	41W / 3A
59-7813	Squadron-R Pro, Pair Driving/Combo, Amber	3.5" x 2.77" x 3.5"	4.095	41W / 3A
59-7815	Squadron-R Pro, Pair Wide Cornering, Amber	3.5" x 2.77" x 3.5"	4.095	41W / 3A

LIMITED LIFETIME WARRANTY

Baja Designs proudly offers a LIFETIME WARRANTY against manufacturer's defect on all of the products that we manufacture.

These are comprehensive warranties; other than the exclusions below – you're covered. If your LED burns out, you're covered. Additionally, cutting off our connector or changing your lenses does not automatically void your warranty.

Exclusions:

Installation errors, abuse, misuse or crash damage. You must be the original owner of the product and be able to supply proof of purchase.

Baja Designs manufactures its own products as well as resells products manufactured by others. Baja Designs makes no express or implied warranties on products not manufactured by Baja Designs including without limitation any warranties or merchantability and fitness for a particular purpose. We will however, pass on all warranties made by the manufacturer, who has sole responsibility for performing such warranties.

Baja Designs will pay the freight if your product is less than 90 days old, otherwise defective products must be returned to Baja Designs, Inc., freight prepaid. At our option, we will repair or replace items in question and return them at no charge. If the identical product is no longer available, we will replace with a similar product of equal value. Baja Designs Inc. will not be responsible for any indirect or consequential damages in connection with defective merchandise.

Indemnification:

Buyer hereby acknowledges off-roading, racing and driving at night are dangerous activities and that the products and/or supplies purchased from Baja Designs are used in an inherently dangerous activity that may endanger life and limb; and in no event shall the seller, or seller's heirs and assigns, be held liable for consequential damages, nor shall seller's liability on any claim for damages arising out of or connected with the sale, delivery, or use of purchased products and/or supplies exceed the purchase price of the products and/or supplies.

Customer satisfaction stands at the core of who Baja Designs is as a company. BD gives you a full 30 days to test out your new light and if you are not 100% satisfied with your purchase, you can send it back for an exchange or refund of the purchase price and applicable tax. Exclusions:

Items purchased through a Baja Designs authorized dealer must be returned through the dealer. Only available on LED auxiliary lights and product must be in sellable condition at MSRP. Product that has been damaged in any way after the original purchase date will be excluded from this guarantee.



Squadron & S2 Mounting (Bracket Orientations does not matter)

Squadron & S2 Wiring

Black, Ground.
White, 12-36V DC.

Baja Designs chooses stainless steel mounting bolts and hardware for their corrosion resistance and appearance. Stainless fasteners can be prone to galling or sticking during installation so we recommend a thread lubricant or anti-seize on the threads when assembling. Avoid using high speed power tools to assemble because the heat generated from friction can promote seizing.