

Squadron SPORT



Description:

Although similar in aesthetics to the Squadron® Pro, the application for the Sport varies. The Squadron® Sport utilizes 4 LEDs producing an impressive 3,162 lumens at 30 watts making it ideal for near field, side/backup and scene lighting application. An industry first 30 Day Satisfaction Guarantee & Limited Lifetime Warranty is included for the ultimate in purchase protection.

Baja Designs Features:

- **Satisfaction Guaranteed** - 30 Day Money Back Guarantee
- **Limited Lifetime Warranty** - Complete Purchase Protection
- **uService®** - Replaceable Lenses And Optics
- **ClearView®** - All The Light, Right Where You Need It
- **MoistureBlock™** - Waterproof, Rain Proof, Submersible
- **CopperDrive®** - Only LED Driven At 100%

Specifications:

- **Daylight** - Less Driver Fatigue, Natural Color
- **Lumens:** 3,162 Utilizing 4 LEDs
-
- **Weight:** 12 ounces
- **Wattage/Amps:** 30W / 2.2A
- **Dimensions:** 3.07" x 2.77" x 3.07"
- **LED Life Expectancy:** 49,930 Hours
- **Front Lens:** Hard Coated Polycarbonate
- **Housing:** Powder Coat Bezel -Hard Anodize
- **Hardware & Bracket Material:** Stainless Steel
- **Exceeds MIL-STD810G (Mil-Spec Testing)**
- **Built-In Overvoltage Protection**



Standards of Compliance:

- **MIL-STD-810G Certified** - (Low Temperature Test, High Temperature, Temperature & Humidity, Thermal Shock Cycling, Dust, Random Vibration, Mechanical Shock, Low Pressure & Drip Box Water)
- **IP69k Certified** - (Submersible to 9ft)
- **IK10 Compliant** - (Mechanical Impact Testing)
- **Salt Spray Certified**

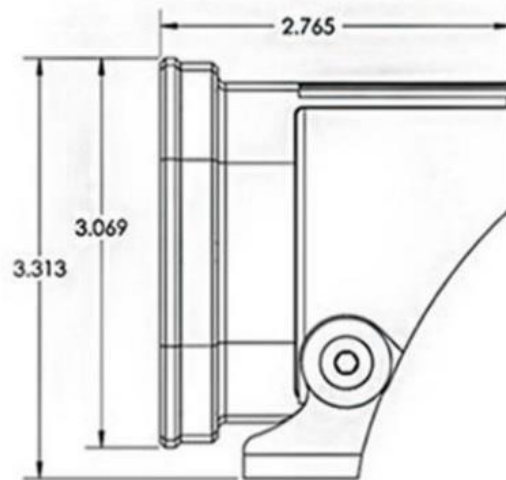
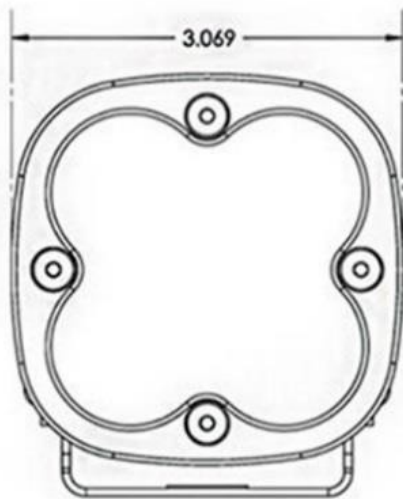
Patterns:

Driving/Combo: Maximum trail coverage in a single light. The Driving/Combo pattern is equipped with both wide cornering (42°) and Spot (9°) optics to provide you with a smooth blend of light for both near field applications and distance (Lighting Zone 3)

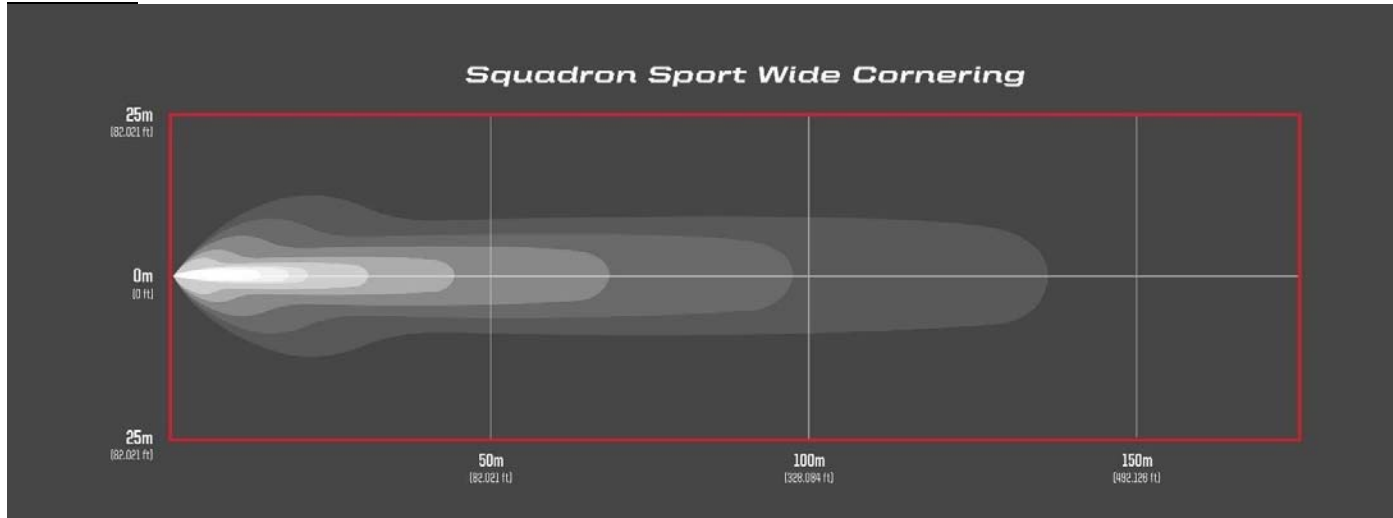
Wide Cornering: BD was the first to develop a pattern specifically for cornering, dust and/or fog conditions. The Wide Driving pattern offers a 42° flattened horizontal beam for the ultimate in comfort lighting. (Lighting Zones 1 & 2)

Spot: A longer and narrower 9° beam focus for illumination further down the trail or road. The Spot pattern is designed to be used in conjunction with additional Wide Driving and/or Driving/Combo beam lights. (Lighting Zone 4 & 5)

Work/Scene: Excellent work light or "scene light" with an extremely smooth 120° circle that projects about 60 ft). This pattern is not suitable for driving. (Lighting Zone 7)



Isolux Plot



Part Number	Description	Size	Lumens	Amps/Watts
55-0001	Squadron Pro, LED Spot	3.07" x 2.77" x 3.07"	3,162	30W / 2.2A
55-0001WT	Squadron Pro, White, LED Spot	3.07" x 2.77" x 3.07"	3,162	30W / 2.2A
55-0003	Squadron Pro, LED Driving/Combo	3.07" x 2.77" x 3.07"	3,162	30W / 2.2A
55-0003WT	Squadron Pro, White, LED Driving/Combo	3.07" x 2.77" x 3.07"	3,162	30W / 2.2A
55-0005	Squadron Pro, LED Wide Cornering	3.07" x 2.77" x 3.07"	3,162 - Per	30W / 2.2A
55-0005WT	Squadron Pro, LED Wide Cornering, White	3.07" x 2.77" x 3.07"	3,162 - Per	30W / 2.2A
55-0006	Squadron Pro, LED Work/Scene	3.07" x 2.77" x 3.07"	3,162 - Per	30W / 2.2A
55-0006WT	Squadron Pro, White, LED Work/Scene	3.07" x 2.77" x 3.07"	3,162 - Per	30W / 2.2A
55-0011	Squadron Pro, Amber, LED Spot	3.07" x 2.77" x 3.07"	3,162 - Per	30W / 2.2A
55-0011WT	Squadron Pro, White, Amber, LED Spot	3.07" x 2.77" x 3.07"	3,162	30W / 2.2A
55-0013	Squadron Pro, Amber LED Driving/Combo,	3.07" x 2.77" x 3.07"	3,162	30W / 2.2A
55-0013WT	Squadron Pro, White, Amber LED Driving/Combo	3.07" x 2.77" x 3.07"	3,150	30W / 2.2A
55-0015	Squadron Pro, Amber LED Wide Cornering	3.07" x 2.77" x 3.07"	3,162	30W / 2.2A
55-0015WT	Squadron Pro, White, Amber LED Wide Cornering	3.07" x 2.77" x 3.07"	3,162	30W / 2.2A

Squadron SPORT



55-0016	Squadron Pro, Amber, LED Work/Scene	3.07" x 2.77" x 3.07"	3,162	30W / 2.2A
55-1001	Squadron Pro, Flush Mount, LED Spot	3.07" x 2.77" x 3.07"	3,162	30W / 2.2A
55-1001WT	Squadron Pro, White, Flush Mount, LED Spot	3.07" x 2.77" x 3.07"	3,162	30W / 2.2A
55-1003	Squadron Pro, Flush Mount, LED Driving/Combo	3.07" x 2.77" x 3.07"	3,162	30W / 2.2A
55-1003WT	Squadron Pro, White, Flush Mount, LED Driving/Combo	3.07" x 2.77" x 3.07"	3,162	30W / 2.2A
55-1005	Squadron Pro, Flush Mount, LED Wide Cornering	3.07" x 2.77" x 3.07"	3,162	30W / 2.2A
55-1005WT	Squadron Pro, White, Flush Mount, LED Wide-Cornering	3.07" x 2.77" x 3.07"	3,162	30W / 2.2A
55-1006	Squadron Pro, Flush Mount, LED Work/Scene	3.07" x 2.77" x 3.07"	3,162	30W / 2.2A
55-1006WT	Squadron Pro, White, Flush Mount, LED Work/Scene	3.07" x 2.77" x 3.07"	3,162	30W / 2.2A
55-1013	Squadron Pro, Flush Mount LED Driving, Amber	3.07" x 2.77" x 3.07"	3,162	30W / 2.2A
55-1013WT	Squadron Pro, White, Amber, Flush Mount LED Driving	3.07" x 2.77" x 3.07"	3,162	30W / 2.2A
55-1015	Squadron Pro, Amber Flush Mount LED Wide Cornering	3.07" x 2.77" x 3.07"	3,162	30W / 2.2A
55-1015WT	Squadron Pro, White, Amber, Flush Mount LED Wide Cornering	3.07" x 2.77" x 3.07"	3,162	30W / 2.2A
55-2006	Squadron Pro, Angled Flush Mount, LED Work/Scene	3.07" x 2.77" x 3.07"	3,162	30W / 2.2A
55-7801	Squadron Pro, Pair Spot LED	3.07" x 2.77" x 3.07"	3,162 - Per	30W / 2.2A - Per
55-7803	Squadron Pro, Pair Driving/Combo LED	3.07" x 2.77" x 3.07"	3,162 - Per	30W / 2.2A - Per
55-7805	Squadron Pro, Pair Wide Cornering LED	3.07" x 2.77" x 3.07"	3,162 - Per	30W / 2.2A - Per
55-7806	Squadron Pro, Pair Work/Scene LED	3.07" x 2.77" x 3.07"	3,162 - Per	30W / 2.2A - Per
55-7811	Squadron Pro, Pair Amber, LED Spot	3.07" x 2.77" x 3.07"	3,162 - Per	30W / 2.2A - Per
55-7813	Squadron Pro, Pair Amber LED Driving/Combo,	3.07" x 2.77" x 3.07"	3,162 - Per	30W / 2.2A - Per
55-7815	Squadron Pro, Pair Amber LED Wide Cornering	3.07" x 2.77" x 3.07"	3,162 - Per	30W / 2.2A - Per
55-7816	Squadron Pro, Pair Work/Scene Amber LED	3.07" x 2.77" x 3.07"	3,162 - Per	30W / 2.2A - Per
58-0001	Squadron-R Pro, Spot LED	3.5" x 2.77" x 3.5"	3,162	30W / 2.2A
58-0003	Squadron-R Pro, LED Driving/Combo	3.5" x 2.77" x 3.5"	3,162	30W / 2.2A



58-0005	Squadron-R Pro, LED Wide Cornering	3.5" x 2.77" x 3.5"	3,162	30W / 2.2A
58-0006	Squadron-R Pro, LED Work/Scene	3.5" x 2.77" x 3.5"	3,162	30W / 2.2A
58-0013	Squadron-R Pro, LED Driving/Combo, Amber	3.5" x 2.77" x 3.5"	3,162	30W / 2.2A
58-0015	Squadron-R Pro, LED Wide Cornering, Amber	3.5" x 2.77" x 3.5"	3,162	30W / 2.2A
58-7801	Squadron-R Pro, Pair Spot LED	3.5" x 2.77" x 3.5"	3,162 - Per	30W / 2.2A - Per
58-7803	Squadron-R Pro, Pair Driving/Combo LED	3.5" x 2.77" x 3.5"	3,162 - Per	30W / 2.2A - Per
58-7805	Squadron-R Pro, Pair Wide Cornering LED	3.5" x 2.77" x 3.5"	3,162 - Per	30W / 2.2A - Per
58-7806	Squadron-R Pro, Pair Work/Scene LED	3.5" x 2.77" x 3.5"	3,162 - Per	30W / 2.2A - Per
58-7813	Squadron-R Pro, Pair Driving/Combo, Amber	3.5" x 2.77" x 3.5"	3,162 - Per	30W / 2.2A - Per
58-7815	Squadron-R Pro, Pair Wide Cornering, Amber	3.5" x 2.77" x 3.5"	3,162 - Per	30W / 2.2A - Per

LIMITED LIFETIME WARRANTY

Baja Designs proudly offers a LIFETIME WARRANTY against manufacturer's defect on all of the products that we manufacture.

These are comprehensive warranties; other than the exclusions below – you're covered. If your LED burns out, you're covered. Additionally, cutting off our connector or changing your lenses does not automatically void your warranty.

Exclusions:

Installation errors, abuse, misuse or crash damage. You must be the original owner of the product and be able to supply proof of purchase.

Baja Designs manufactures its own products as well as resells products manufactured by others. Baja Designs makes no express or implied warranties on products not manufactured by Baja Designs including without limitation any warranties or merchantability and fitness for a particular purpose. We will however, pass on all warranties made by the manufacturer, who has sole responsibility for performing such warranties.

Baja Designs will pay the freight if your product is less than 90 days old, otherwise defective products must be returned to Baja Designs, Inc., freight prepaid. At our option, we will repair or replace items in question and return them at no charge. If the identical product is no longer available, we will replace with a similar product of equal value. Baja Designs Inc. will not be responsible for any indirect or consequential damages in connection with defective merchandise.

Indemnification:



Buyer hereby acknowledges off-roading, racing and driving at night are dangerous activities and that the products and/or supplies purchased from Baja Designs are used in an inherently dangerous activity that may endanger life and limb; and in no event shall the seller, or seller's heirs and assigns, be held liable for consequential damages, nor shall seller's liability on any claim for damages arising out of or connected with the sale, delivery, or use of purchased products and/or supplies exceed the purchase price of the products and/or supplies.

Customer satisfaction stands at the core of who Baja Designs is as a company. BD gives you a full 30 days to test out your new light and if you are not 100% satisfied with your purchase, you can send it back for an exchange or refund of the purchase price and applicable tax. Exclusions: Items purchased through a Baja Designs authorized dealer must be returned through the dealer. Only available on LED auxiliary lights and product must be in sellable condition at MSRP. Product that has been damaged in any way after the original purchase date will be excluded from this guarantee.

Squadron & S2 Mounting (Bracket Orientations does not matter)

Squadron & S2 Wiring

Black, Ground.
White, 12-36V DC.

Baja Designs chooses stainless steel mounting bolts and hardware for their corrosion resistance and appearance. Stainless fasteners can be prone to galling or sticking during installation so we recommend a thread lubricant or anti-seize on the threads when assembling. Avoid using high speed power tools to assemble because the heat generated from friction can promote seizing.

