



baja designs.
The Scientists of Lighting

Yamaha WR450F (2012-2019)/250F (15-19), XL Pro/XL 80 Kit



PN: 50-7001, 67-7001

Installation Manual

2950 Norman Strasse Rd • San Marcos • CA • 92069

Phone 760.560.2252 • Fax 760.560.0383 • info@bajadesigns.com

www.bajadesigns.com



LIMITED LIFETIME WARRANTY

Baja Designs, Inc. This warranty includes coverage of HID Bulbs and Ballasts. If you discover a defect in a product covered by this warranty, we will repair at our option using new or refurbished components, or if repair is not possible, replace the item.

EXCLUSIONS

This warranty covers defects in manufacturing discovered while using the product as recommended by the manufacturer. The warranty does not cover loss or theft, nor does coverage extend to damage caused by rocks, crashes/collisions, misuse, abuse, unauthorized modification, improper storage conditions, lightning, or natural disasters. The warranty does not cover parts that are subject to normal wear and tear replacement requirements.

LIMITS OF LIABILITY

Should the product(s) fail, your sole recourse shall be repair or replacement, as described in the preceding paragraphs. We will not be held liable to you or any other party for any damages that result from the failure of this product. Damages excluded include, but are not limited to, the following: lost profits, lost savings, medical costs, damage to other equipment, and incidental or consequential damages arising from the use, or inability to use this product. In no event will Baja Designs, Inc. be liable for more than the amount of your purchase price, not to exceed the current list price of the product, and excluding tax, shipping and handling charges. Baja Designs, Inc. disclaims any other warranties, express or implied. By installing or using the product, the user accepts all terms described herein.

HOW TO OBTAIN SERVICE UNDER THIS WARRANTY

Contact us using one of the following methods:

Phone: (760) 560-2252 or email: info@bajadesigns.com

REQUIREMENTS

Within 90 days of purchase return ground shipping costs will be paid for by Baja Designs, Inc. After 90 days from purchase, return shipping costs to be paid for by customer.

Indemnification: Buyer hereby acknowledges off road driving/riding is a dangerous sport and that the products and/or supplies purchased from Baja Designs are used in an inherently dangerous activity that may endanger life and limb; and in no event shall the seller, or the seller's heirs and assigns, be held liable for consequential damages, nor shall seller's liability on any claim for damages arising out of or connected with the sale, delivery, or use of purchased products and/or supplies exceed the purchase price of the products and/or supplies.



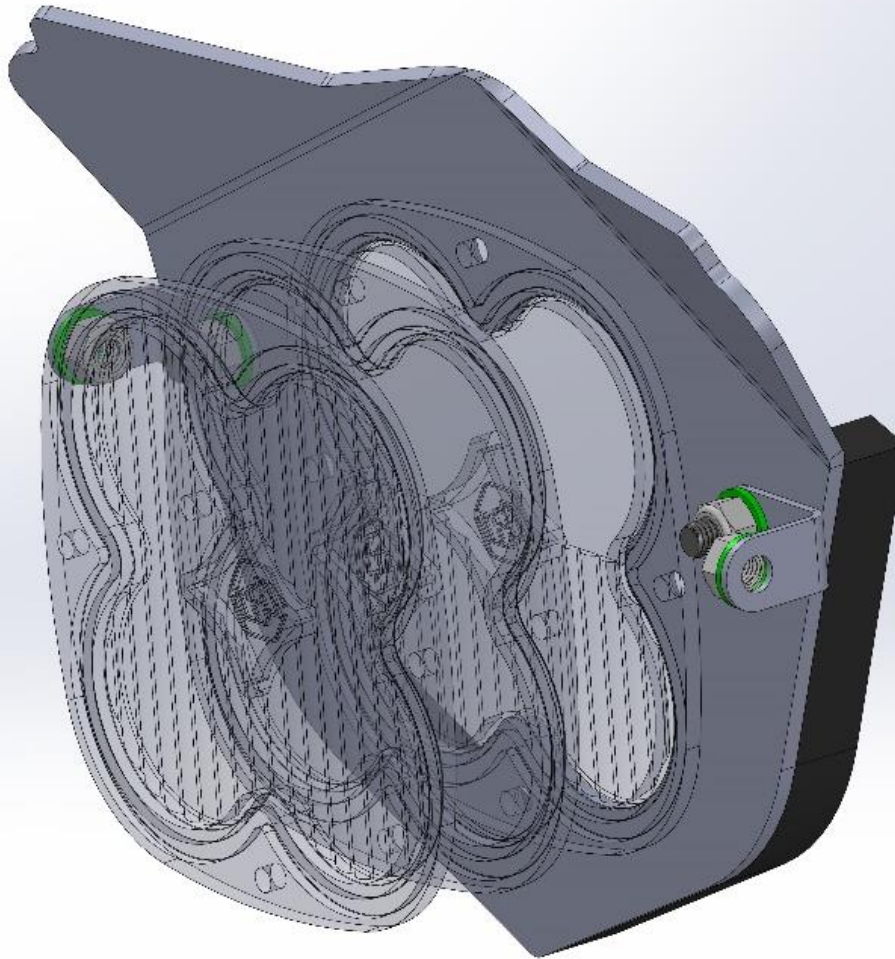
Buyer is responsible for ensuring that it uses the products (and its vehicle) in accordance with all applicable laws, regulations, guidelines, and standards of care. Buyer acknowledges that some products may only be used when off-roading, and Buyer will comply with all vehicle and road safety guidelines. Buyer is solely responsible for (and will indemnify and hold Bestop harmless for) any claims, losses, damages, fines, fees, costs, or other amounts arising out of Buyer's non-compliance with these provisions.

Parts List

QTY	Part Number	Description
1		XL Pro MC LED
1	50-0046	2012-14 WR 450 XL Pro Face Plate
2	50-0047	2012-14 WR 450 XL Pro SS Bracket
4	66-0028	M6 x 16 Button head
4	20-1004	M6 Nylock nut Zinc
1	66-0027	Mounting Plate Foam
4	20-1282	¼" Stainless washer



baja designs.
The Scientists of Lighting



Please read this manual prior to installation.

Thank you for purchasing the Baja Designs 2012-2015 Yamaha WR450F XL Pro Kit. This kit has been designed to power a XL Pro LED light. Our wiring harness also has a bypass which allows you to turn on your high beams without the auxiliary lights coming on.

Kit Installation

Step 1:Remove stock headlight assembly for the shell.



Note: You will be re-using your stock mounting bolts.

Step 2: Install foam on the front of the Face Plate

Step 3. Install the XL Pro into your factory headlight shell using your stock bolts, nyloc nuts and washers provided in this kit. The diagram on the previous page will assist with the installation process.

Note: Like your factory light, the adjustment for up and down relies on friction therefore making sure the side bolts are tight enough to keep the light aimed where you want it is crucial.

Step 4. Plug the Male H4 connector from the XL Pro into the factory H4 connector.

Note: If you have chosen to use the “mode” function and have purchased the BD switch kit then plug the male and female bullet connectors in to the switch harness at this time also.

Wiring

When installing the Baja Designs specific wiring harness, make sure you pay close attention to the components around the harness.

Step 1. Install the peanut bracket/switch on the left handlebar perch clamp. Mounting the switch at this location allows you to turn the Baja Designs lights on without having to remove your hands from the handlebars. **Note:** You may have to bend the peanut bracket down ever so slightly once the allen bolt has been secured.

Step 2. Route the two toggle wires cleanly along your handlebars and behind your stock headlight. When completed plug the bullet connectors from the mode harness into the bullet connectors that coming off of the H4 connector.

Step 3. Now that your harness has been cleanly routed, you can now dim the XL Pro to 50% with through the mode switch.





baja designs.
The Scientists of Lighting